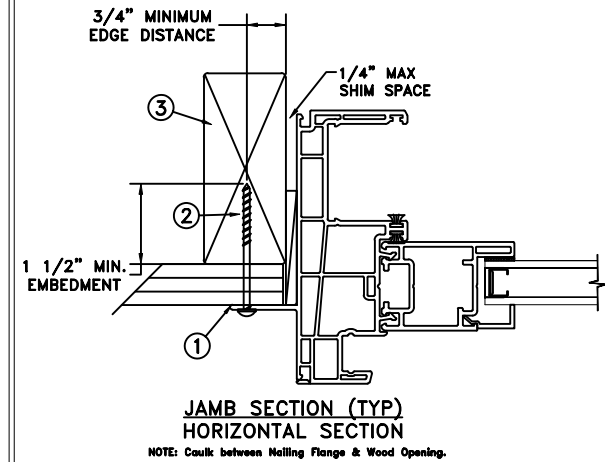
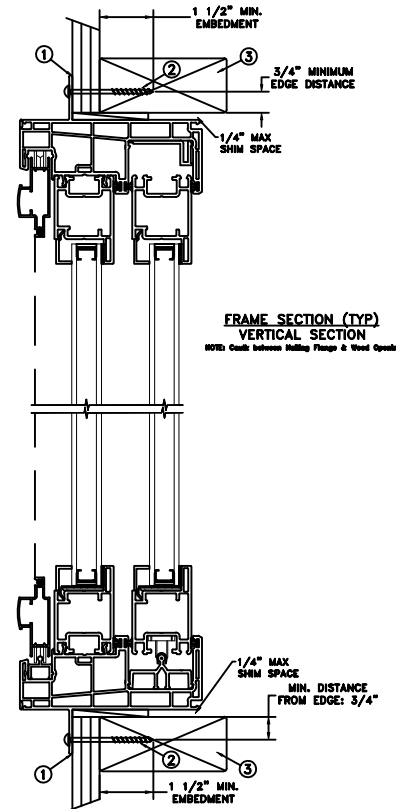
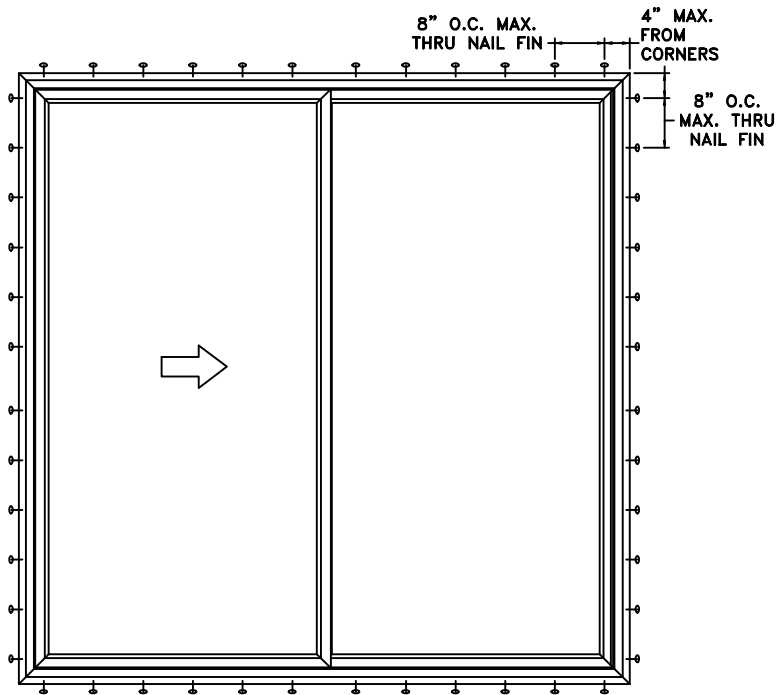


NAIL FIN INSTALLATION



MAXIMUM FRAME	DP	IMPACT
96 x 96	+35/-35	NO

Installation Notes:

1. Seal flange/frame to substrate.
2. Use #8 PH or greater fastener through the nail fin with sufficient length to penetrate a minimum of 1 1/2" into the wood framing. For 2x wood frame substrate (min. S.G. = 0.42)
3. Host structure (wood buck, masonry, steel) to be designed and anchored to properly transfer all loads to the structure. The host structure is the responsibility of the architect or engineer of record for the project of installation.

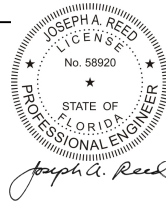
General Notes:

1. The product shown herein is designed, tested and manufactured to comply with the wind load criteria of the adopted International Building Code (IBC), the International Residential Code (IRC), the Florida Building Code (FBC) and the industry requirement for the stated conditions.
2. All glazing shall conform to ASTM E1300.
3. At minimum, glazing is 1/8" tempered insulated glass.
4. Use structural or composite shims where required.
5. Installation methods can be interchanged within the same opening.
6. An impact protective system is required where wind borne debris protection is mandated by local building code.
7. Maximum sizes are buck sizes and do not include fin or flange.

This schedule addresses only the fasteners required to anchor the window to achieve the rated design pressure up to the size limitations noted. It is not intended as a guide to the installation process and does not address the sealing consideration that may arise in different wall conditions. For the complete installation procedure, see the instructions packaged with the window or go to www.jeld-wen.com/resources/installation.

DISCLAIMER:

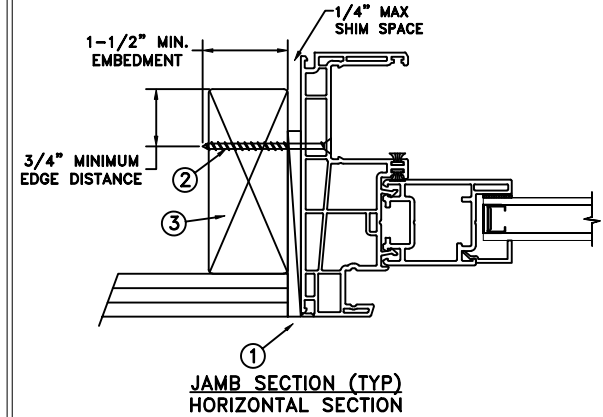
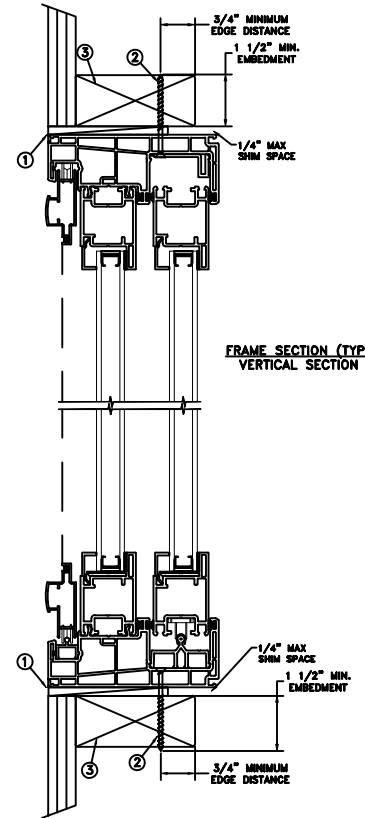
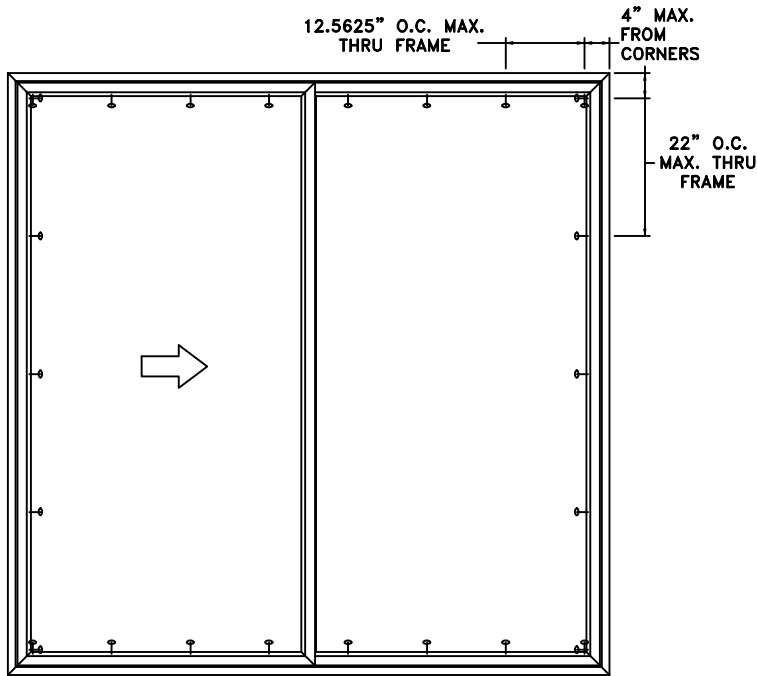
This drawing and its contents are confidential and are not to be reproduced or copied in whole or in part or used or disclosed to others except as authorized by JELD-WEN Inc.



2021.02.03 08:15:29 -05'00'
JOSEPH A. REED, P.E.
 Florida PE 58920, REG. No. 33474
 National Certified Testing Laboratories
 5 Leigh Drive, York, PA. 17406
 (717) 846-1200

DATE:	01/09/14	JELD-WEN	3737 LAKEPORT BLVD.
DRAWN BY:	D. VEZO		KLAMATH FALLS OR, 97601
CHECKED BY:	J. KANTOLA	SCALE:	PHONE: (800) 535-3936
APPROVED BY:	---	TITLE:	Premium Vinyl Sliding Narrow Stile Patio Door
RECORD No.:	D008446	REPORT No.:	SJW2013-170
REPORT No.:	SJW2013-170	CAD DWG. No.:	PREMVinylSPD Cert
REV:	A	SHEET	1 of 4

**THROUGH FRAME
INSTALLATION**



MAXIMUM FRAME	DP	IMPACT
96 x 96	+35/-35	NO

Installation Notes:

1. Seal flange/frame to substrate.
2. Use #10 PH or greater fastener through the frame with sufficient length to penetrate a minimum of 1 1/2" into the wood framing. For 2x wood frame substrate (min. S.G. = 0.42)
3. Host structure (wood buck, masonry, steel) to be designed and anchored to properly transfer all loads to the structure. The host structure is the responsibility of the architect or engineer of record for the project of installation.

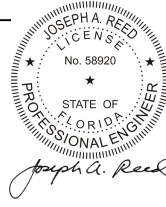
General Notes:

1. The product shown herein is designed, tested and manufactured to comply with the wind load criteria of the adopted International Building Code (IBC), the International Residential Code (IRC), the Florida Building Code (FBC) and the industry requirement for the stated conditions.
2. All glazing shall conform to ASTM E1300.
3. At minimum, glazing is 1/8" tempered insulated glass.
4. Use structural or composite shims where required.
5. Installation methods can be interchanged within the same opening.
6. An impact protective system is required where wind borne debris protection is mandated by local building code.
7. Maximum sizes are buck sizes and do not include fin or flange.

This schedule addresses only the fasteners required to anchor the window to achieve the rated design pressure up to the size limitations noted. It is not intended as a guide to the installation process and does not address the sealing consideration that may arise in different wall conditions. For the complete installation procedure, see the instructions packaged with the window or go to www.jeld-wen.com/resources/installation.

DISCLAIMER:

This drawing and its contents are confidential and are not to be reproduced or copied in whole or in part or used or disclosed to others except as authorized by JELD-WEN Inc.

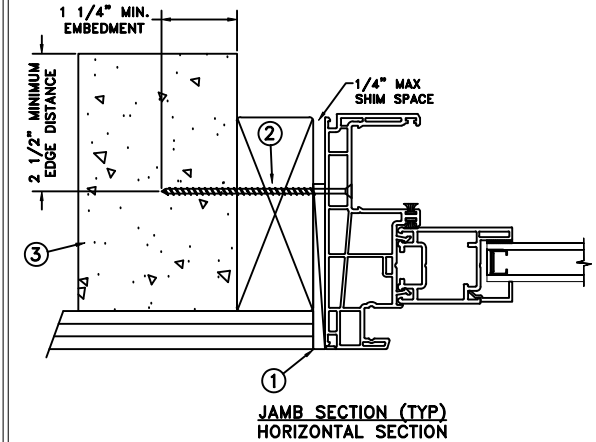
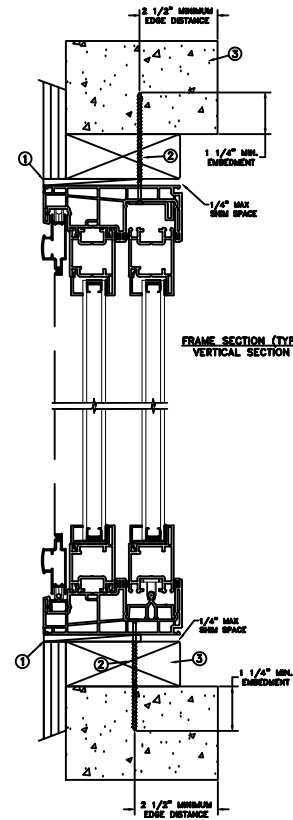
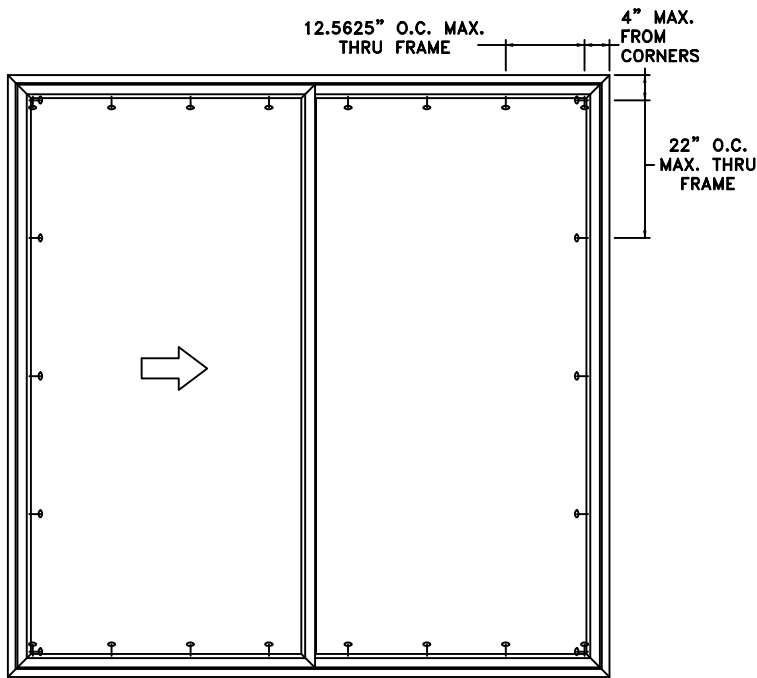


2021.02.03 08:15:29 -05'00'

JOSEPH A. REED, P.E.
 Florida PE 58920, REG. No. 33474
 National Certified Testing Laboratories
 5 Leigh Drive, York, PA. 17406
 (717) 846-1200

DATE:	01/09/14	JELD-WEN	3737 LAKEPORT BLVD.
DRAWN BY:	D. VEZO		KLAMATH FALLS OR, 97601
CHECKED BY:	J. KANTOLA	PHONE: (800) 535-3936	
APPROVED BY:	---	Premium Vinyl Sliding Narrow Stile Patio Door	
RECORD No.:	D008446		
REPORT No.:	SJW2013-170	CAD DWG. No.:	PREMVinylSPD Cert
		REV:	A
		SHEET	2 of 4

MASONRY INSTALLATION



MAXIMUM FRAME	DP	IMPACT
96 x 96	+35/-35	NO

Installation Notes:

1. Seal flange/frame to substrate.
2. Use 3/16" Tapcon or equivalent fasteners through frame with sufficient length to penetrate a minimum of 1 1/4" into concrete or masonry at each location with a 2 1/2" min from edge distance. For concrete (min. f'c = 3000 psi) or masonry substrate (CMU shall conform to ASTM C90).
3. Host structure (wood buck, masonry, steel) to be designed and anchored to properly transfer all loads to the structure. The host structure is the responsibility of the architect or engineer of record for the project of installation.

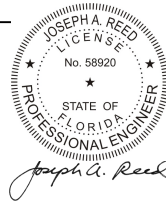
General Notes:

1. The product shown herein is designed, tested and manufactured to comply with the wind load criteria of the adopted International Building Code (IBC), the International Residential Code (IRC), the Florida Building Code (FBC) and the industry requirement for the stated conditions.
2. All glazing shall conform to ASTM E1300.
3. At minimum, glazing is 1/8" tempered insulated glass.
4. Use structural or composite shims where required.
5. Installation methods can be interchanged within the same opening.
6. An impact protective system is required where wind borne debris protection is mandated by local building code.
7. Maximum sizes are buck sizes and do not include fin or flange.

This schedule addresses only the fasteners required to anchor the window to achieve the rated design pressure up to the size limitations noted. It is not intended as a guide to the installation process and does not address the sealing consideration that may arise in different wall conditions. For the complete installation procedure, see the instructions packaged with the window or go to www.jeld-wen.com/resources/installation.

DISCLAIMER:

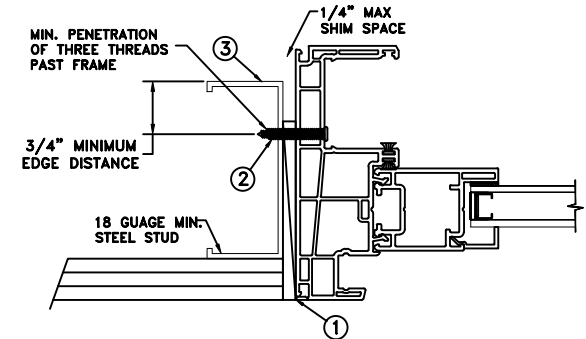
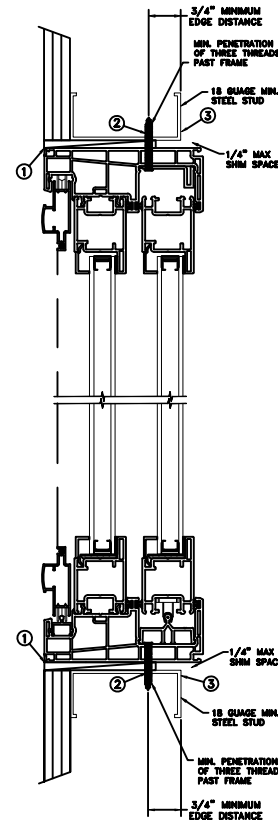
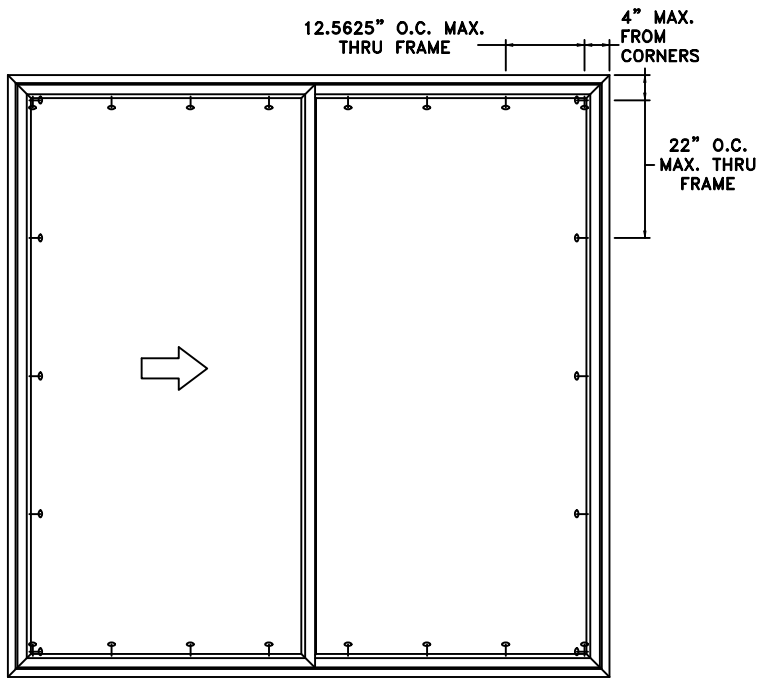
This drawing and its contents are confidential and are not to be reproduced or copied in whole or in part or used or disclosed to others except as authorized by JELD-WEN Inc.



2021.02.03 08:15:29 -05'00'
JOSEPH A. REED, P.E.
 Florida PE 58920, REG. No. 33474
 National Certified Testing Laboratories
 5 Leigh Drive, York, PA. 17406
 (717) 846-1200

DATE:	01/09/14	JELD-WEN	3737 LAKEPORT BLVD.		
DRAWN BY:	D. VEZO		KLAMATH FALLS OR, 97601		
CHECKED BY:	J. KANTOLA	PHONE: (800) 535-3936			
APPROVED BY:	---	Premium Vinyl Sliding Narrow Stile Patio Door			
RECORD No.:	D008446				
REPORT No.:	SJW2013-170	CAD DWG. No.:	PREMVinylSPD Cert	REV: A	SHEET 3 of 4

STEEL INSTALLATION



**JAMB SECTION (TYP)
HORIZONTAL SECTION**

MAXIMUM FRAME	DP	IMPACT
96 x 96	+35/-35	NO

Installation Notes:

1. Seal flange/frame to substrate.
2. For Anchoring into metal framing, use # 8 TEK Self Tapping screws with sufficient length to achieve a minimum embedment of three threads past the frame thickness. Locate anchors as shown in elevations and installation details. Steel substrate min. 18ga. (fy = 33ksi).
3. Host structure (wood buck, masonry, steel) to be designed and anchored to properly transfer all loads to the structure. The host structure is the responsibility of the architect or engineer of record for the project of installation.

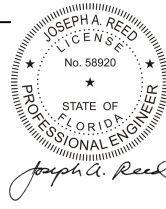
General Notes:

1. The product shown herein is designed, tested and manufactured to comply with the wind load criteria of the adopted International Building Code (IBC), the International Residential Code (IRC), the Florida Building Code (FBC) and the industry requirement for the stated conditions.
2. All glazing shall conform to ASTM E1300.
3. At minimum, glazing is 1/8" tempered insulated glass.
4. Use structural or composite shims where required.
5. Installation methods can be interchanged within the same opening.
6. An impact protective system is required where wind borne debris protection is mandated by local building code.
7. Maximum sizes are buck sizes and do not include fin or flange.

This schedule addresses only the fasteners required to anchor the window to achieve the rated design pressure up to the size limitations noted. It is not intended as a guide to the installation process and does not address the sealing consideration that may arise in different wall conditions. For the complete installation procedure, see the instructions packaged with the window or go to www.jeld-wen.com/resources/installation.

DISCLAIMER:

This drawing and its contents are confidential and are not to be reproduced or copied in whole or in part or used or disclosed to others except as authorized by JELD-WEN Inc.



2021.02.03 08:15:29 -05'00'
JOSEPH A. REED, P.E.
 Florida PE 58920, REG. No. 33474
 National Certified Testing Laboratories
 5 Leigh Drive, York, PA. 17406
 (717) 846-1200

DRAWN BY: D. VEZO		DATE: 01/09/14	<p>3737 LAKEPORT BLVD. KLAMATH FALLS OR, 97601 PHONE: (800) 535-3936</p>
CHECKED BY: J. KANTOLA		SCALE: NTS	
APPROVED BY: ---		TITLE: Premium Vinyl Sliding Narrow Stile Patio Door	
RECORD No.: D008446			
REPORT No.: SJW2013-170		CAD DWG. No.: PREMVinylSPD Cert	REV: A SHEET 4 of 4